



EX60B Handbag Bottom Gluing Machine



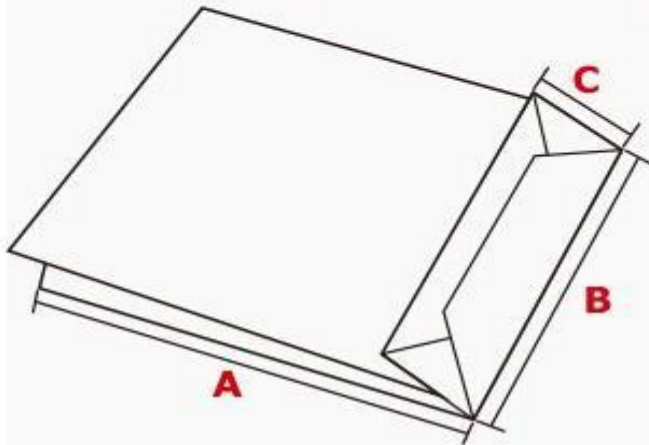
Handbag bottom-gluing machine features a continuous function of automatic delivery of manually-folded bag bottom (paperboard can inserted or not), automatic water-soluble glue, automatic pasting, automatic folding, pressing and finished bag bottom output. This machine adopts touch-screen operation, photoelectric switch. The user can adjust the glue thickness and length according to requirements. With high precision and speed, this machine can produce various specifications of bags.



Suitable paper

	A	B	C
Max.Size	600	450	180
Min.Size	200	200	60

Suitable Paper: Kraft paper, art paper(including film adhesive paper)



Technical parameters:

Bottom width	60-180mm
Total power	3kw
Machine size	8140x1600x1380mm
Speed	100 bags/min
Total weight	2T
Glue Type	Water soluble cold gule

Technological process

