



## ZF-480 Automatic Peeling-Sealing Envelope Making Machine



### Product description

ZF-480 Automatic Self Seal Envelope making Machine Envelope machine is specially designed for producing Wallet envelopes with peel and seal tape.

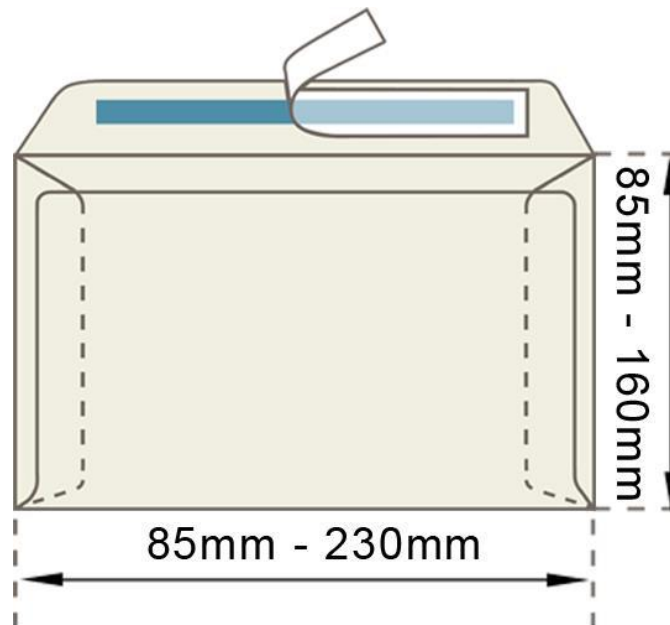
Its gluing system can stop gluing automatically when the machine is short of paper during running; also it's provided with a finished product counter and an automatic rotary delivery unit, also featured by stable performance as well as fast and accurate debugging during mass production.

Standard glue is pressure-sensitive adhesive. And double-sided tape can be used directly. The hot-melt glue is also available, but customers need pay for the hot melt adhesive system.

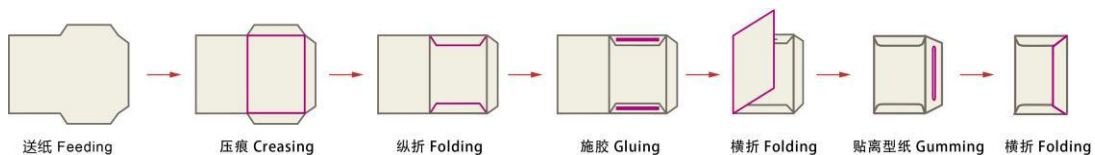


## Main Technical

Model	ZF-480	
Paper weight	70-150 g/m <sup>2</sup>	
Output per hour	3000-10000 pieces	
Size ranges envelopes	Wallet envelope	Min.85mm x 85mm – Max.230mm x 160mm
Sticker width	16-30mm	
weight	2800kg	
Connected load	9kw	
Dimensions	5500x1100x1300mm	



## Process Sequence





SHANGHAI EX. EXPORT INTERNATIONAL INDUSTRY CO., LTD

**Sample show:**



**Picture in stock**





SHANGHAI EX. EXPORT INTERNATIONAL INDUSTRY CO., LTD

