

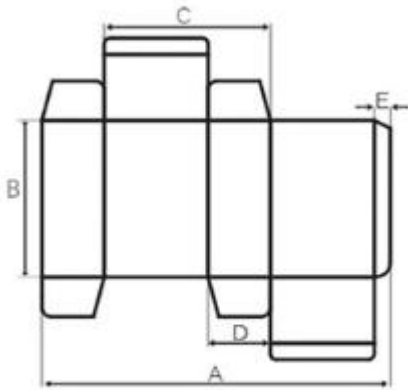


ZH-500 Mini Automatic Folder Gluer



ZH-500 mini automatic folder gluer is the Company's latest economic and flexible type of small folder gluer, the aircraft are small but fully functional, with automatic feeder, automatic gluing, automatic folding, automatic counting, and other functions. It is the small and medium-sized printing factories required equipment.

Technical indicators	
Line speed	0—150m/min adjustable
Usage paper	210-500g/m ² paperboard N/F/E corrugated
Box forming	One side gluing or two side gluing
Paper Feeding	Automatic continuous feeding
Glue type	Cold glue
Power	1.5kw 220V
Weight	600kgs
Dimension	2.6*0.66*1.12m
Package dimensions	3.18*0.87*1.3m



Model	ZH-500
Box Type	Straight Line Box
A Max(mm)	300
A Min(mm)	65
B Max(mm)	150
B Min(mm)	60
C Max(mm)	150
C Min(mm)	30

